

Bauer Products, Inc.
702 Evergreen St SE
Grand Rapids, MI 49507
1-866-68-**BAUER**(22837)
(616) 245-4540
(616) 245-0131 fax

Thank You for purchasing the **Bauer NE**. We have developed the **Bauer NE** with the idea to increase your convenience and security. We are a family owned company with over 50 years of service in the locking hardware industry, and we are grateful for the opportunity to serve you. Please review and follow the following Installation, Programming, and Operating Instructions to ensure proper function.

Bauer NE

The *Bauer NE* features:

- The first self-contained electronic RV latch with Capacitive Touch Technology.
- An integral touch pad to the latch which controls the dead bolt.
- It is powered by 4 AA batteries.
- Is retrofittable in most RV entry doors, and is easy to install.
- Programmable with a 4 digit PIN number.
- The large buttons are easy to see and use.
- Proximity sensing which illuminates the buttons.
- An Intelligent Keyless Entry System which knows the position of the deadbolt and indicates low battery strength, as well as providing audible feedback to successful locking and unlocking functions.
- The key will always be able to operate the paddle or dead bolt lock in case of the user forgetting the code or dead battery

***Bauer NE* Installation Instructions:**

- The following steps are graphically shown on the enclosed ***Bauer NE*** installation schematic.
 1. Remove old lock.
 2. Install outside housing (the portion that includes the Touch Pad) with the dead bolt in the unlocked position.
 3. Attach the (2) 8x32 screws into the portion of the handle that has the Plunger and Dead Bolt.
 4. Plug wire from Inside Plate Assembly into the receptacle on the housing. Make sure to align the ridge on the plug properly with the slot on the receptacle. The plug should make a slight click when properly engaged.
 5. Align the Dead Bolt Knob in the unlocked position. The Red Dots on the Dead Bolt Knob and the Inside Plate Assembly should be aligned to indicate the unlocked position of the Dead Bolt. Slide Dead Bolt Knob over D-Stem and align the 4 screw bosses on the housing

with the attaching holes on the Inside Plate Assembly. When Inside Plate Assembly is in position with Housing install the (4) 8x32 Screws. Secure but do not over tighten screws.

Battery Installation:

The **Bauer NE** uses 4 AA batteries for operation. We do not recommend zinc carbon batteries for this application.

Fresh batteries should be installed once a year. Battery Life is dependent upon battery quality, usage, and environment (temperature). Remove batteries if the lock will not be used for extended periods of time.

The following steps are shown on the enclosed Battery Installation schematic.

1. Remove (2) 4x40 screws from Battery Compartment Lid. These screws are very small so please take care in removal and installation.
2. Install the AA batteries in accordance with the orientation shown in the Battery Compartment. The batteries will fit tightly.
3. Install Battery Compartment Lid by aligning the (3) tabs on the lid with the (3) slots on the Inside Plate Assembly. These tabs act as a hinge for closing the Battery Compartment Lid.
4. Install the (2) 4x40 screws back to attach the Battery Compartment Lid to the Inside Plate Assembly.

Bauer NE Operation and Programming Guide:

Description

The **Bauer NE** is a 4 touch pad button programmable deadbolt lock. The 4 buttons are labeled “1|2”, “3|4”, “5|6”, “7|8”. The button labeled “1|2” is the same button whether the number 1 or 2 is desired. Please note this handle uses Touch Technology. The buttons are activated by Touch and does not require pressing the buttons.


Operation

The **Bauer NE** incorporates proximity sensing to determine when you want to activate the lock. To operate the lock you first must “wake up” the lock. To “wake up” the lock you must touch the area next to the buttons. The buttons will illuminate once the Touch Pad is wakened. This indicates that the Touch Pad is ready for the code to be entered.

Preset Factory Code

The **Bauer NE** has a factory set code of 3,7,1,5 followed by the Enter button. The button



with the  the “*” is the Enter button, and is required to be touched after the code is entered. The factory code resets every time the batteries are removed for at least 10 seconds.

Programming New Code

To set a new code, touch and hold the “3|4” button and the Enter Buttons for 2 seconds. The **Bauer NE** will provide three short beeps, indicating it is ready to accept a new code. Enter the new 4 digit code followed

by the “*”. The **Bauer NE** will provide four short beeps to indicate new code acceptance. This new code will now activate the lock.

To reset the code, remove the batteries for at least 10 seconds. Re-install the batteries; and follow the steps to **Programming New Code**.

Please Enter Personal Code upon Installation of Lock to prevent inadvertent programming.

***Bauer NE* Fault Logic**

<u>Action</u>	<u>Bauer NE</u> Response
Ready to Accept New Code	Three short beeps
New Code Entered	Four short beeps
Wrong Code Entered	One long beep
Dead Bolt Locks	Two short beeps
Dead Bolt Unlocks	Two short beeps
Dead Bolt fails to Lock	One long beep
Dead Bolt fails to Unlock	One long beep
Low Battery	One Long beep after the Lock/Unlock beeps

The lock will cycle up to 10 more times once the low battery indication occurs. After this the final electric function in a low battery condition will be unlock and not lock until the batteries have been replaced. Please note that if the deadbolt is in the locked position and the batteries die the deadbolt will remain locked. The key will always be able to activate the deadbolt lock.

General Maintenance and Operating Guidelines

- Install fresh batteries once a year. The Bauer NE is designed to function for a year of normal usage with 4 AA batteries. Battery life is dependent upon battery quality, usage, and environment (temperature).
- Make sure there are no obstructions in the door frame to prevent Dead Bolt extension.
- Do not wash with power washer or high pressure cleaner. The Bauer NE is designed to resist water intrusion to protect its electrical components from normal water encounter such as rain.
- The Bauer NE uses Touch Technology. The buttons are activated by touching not pressing.
- Remove batteries when storing or not using this lock for extended periods of time.

Troubleshooting

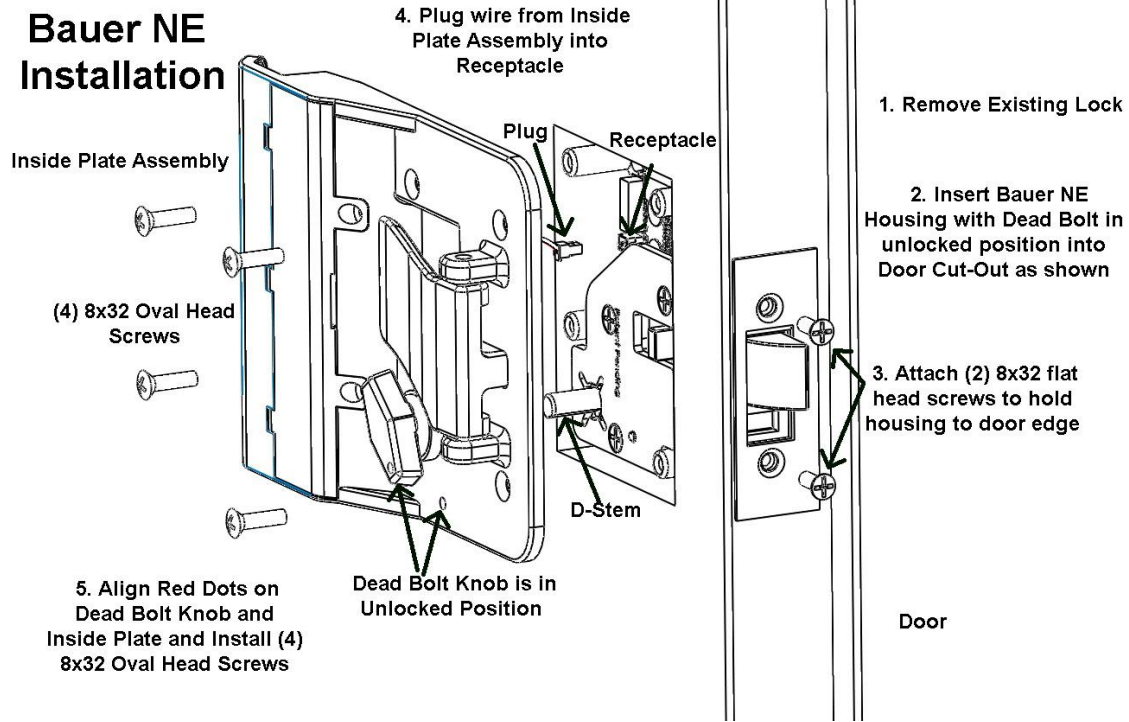
<u>Problem</u>	<u>Possible Fixes</u>
After Installation the Touch Pad does not work	-Batteries are dead -Batteries are not installed properly -Plug not engaged properly
Dead Bolt not engaging into Door Frame	-Obstruction in Door Frame
Code not working	-Remove Batteries for 10 seconds then Program New Code
Inside Paddle not Opening Latch	-Inside screws are not secured to the Housing.

If the problem is not found on this list please call 1 866 682 2837 for assistance.

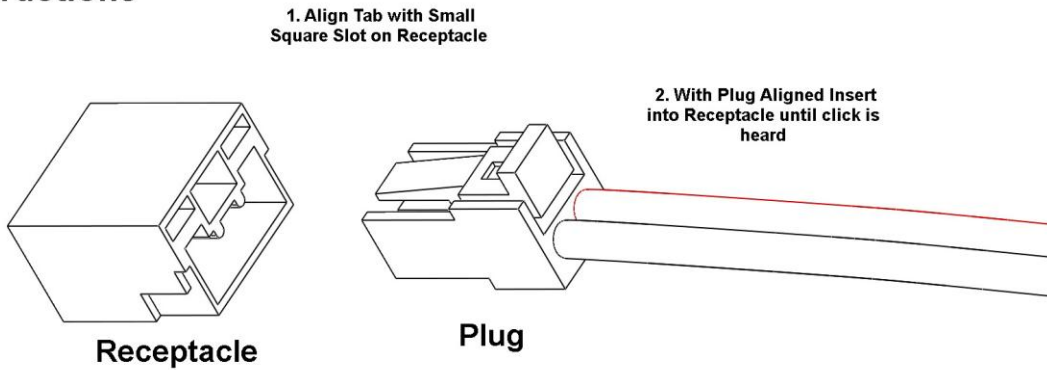
Limited Warranty

BAUER'S WARRANTY IS LIMITED. AT ITS SOLE DISCRETION, BAUER MAY EITHER REPLACE OR REPAIR ANY DEFECTIVE PARTS. IN NO EVENT SHALL BAUER HAVE ANY LIABILITY TO CUSTOMER FOR PAYING INCIDENTAL, SPECIAL OR CONSEQUENTIAL DAMAGES INCLUDING (WITHOUT LIMITATION) DAMAGES RESULTING FROM PERSONAL OR BODILY INJURY OR DEATH OR DAMAGES TO, OR LOSS OF USE OF, ANY PROPERTY. NOTWITHSTANDING ANY PROVISION TO THE CONTRARY, THIS LIMITED WARRANTY IS MADE UPON THE EXPRESS UNDERSTANDING THAT IT SHALL APPLY IN CONNECTION WITH THE SALE OF THE PRODUCT BY BAUER AND IS IN LIEU OF ALL OTHER WARRANTIES (EXPRESS, IMPLIED OR STATUTORY) INCLUDING THE SEPARATE WARRANTIES OF MERCHANTABILITY AND FITNESS FOR A PARTICULAR PURPOSE OR USE.

Bauer NE Installation

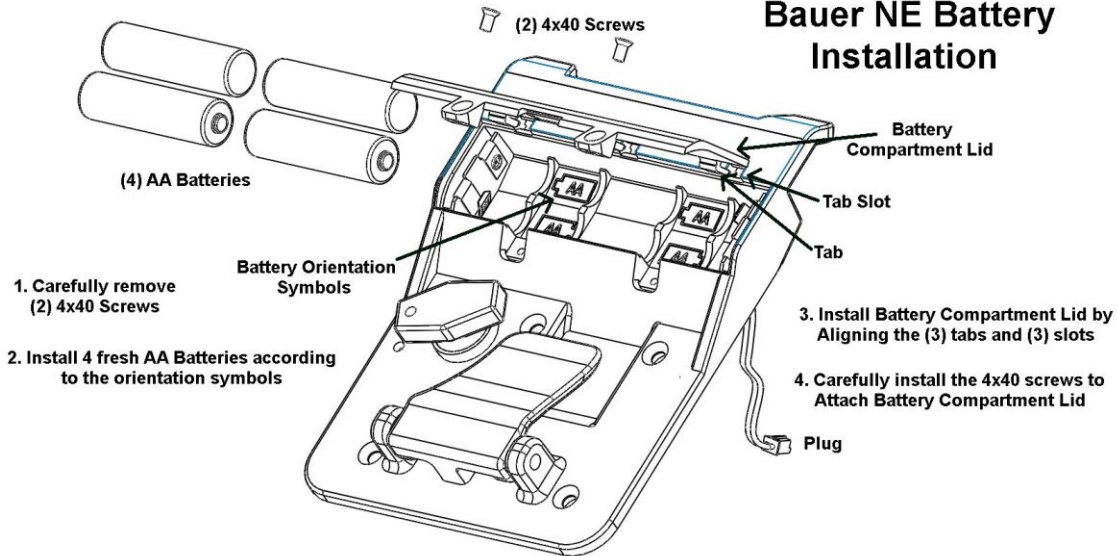


Battery Plug Instructions



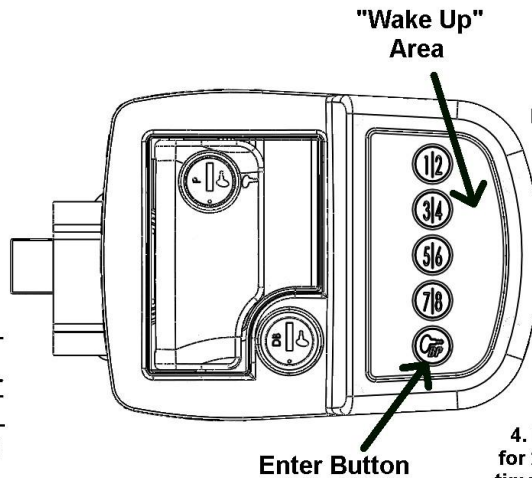
This is a detailed view of the Plug and Receptacle for plugging the Inside Plate Assembly into the Receptacle on the Bauer NE Housing.

Bauer NE Battery Installation



Bauer NE Operation

IMPORTANT:
The Touch Pad only activates the Dead Bolt.
The Paddle Lock is Master Keyed for Dealer and Service Center use.
The Dead Bolt provides Maximum Security.



1. Touch the area next to the Buttons to "wake up" the lock.

2. The Buttons will illuminate when the lock is "awake" and ready to accept the code.

3. The factory default code is 3,7,1,5 followed by the Enter Button.

4. Press 3/4 key and Enter Button for 2 seconds. The lock will beep 3 times to accept a code. Enter new 4 digit code followed by Enter Button. The lock will beep 4 times to indicate new code acceptance.