


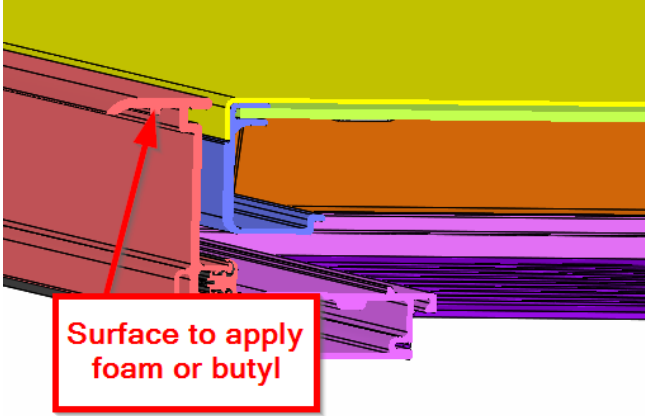
Challenger Door

3400 Series Installation Guide

Date: 2/4/19

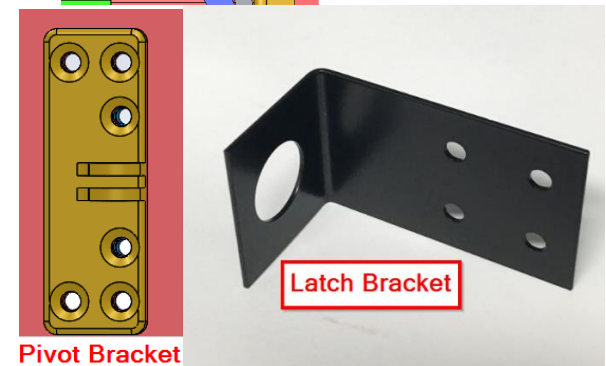
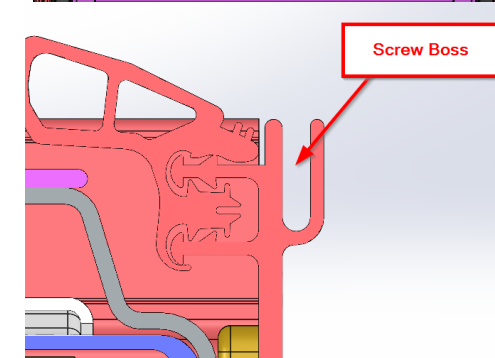
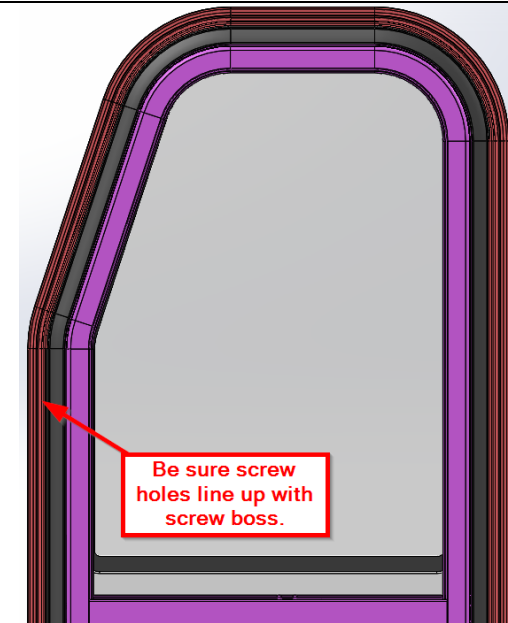
BY:AWY


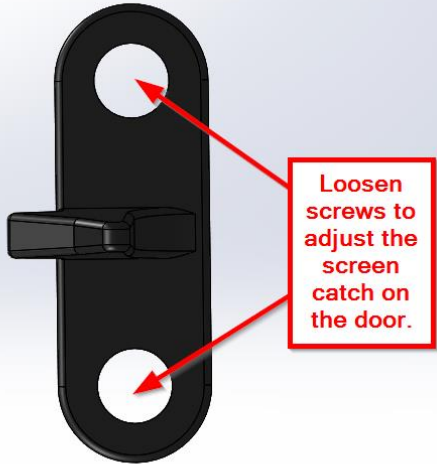
****Be sure to check that Rough Opening measures to the size stated on the door label, and is square and even on all sides. Challenger Door sizes doors to properly fit whatever opening our customer has. Be sure that the opening has proper framework supporting it (ie; aluminum/steel tubing or lumber). For any clarification on how to measure Rough Opening visit <https://www.challengerdoor.com/measure/> ****

Tools and Supplies needed	<ul style="list-style-type: none">- screw gun- #8 or #10 screws 1" to 1½" long- closed cell foam tape or butyl tape- water sealing caulk and caulk gun- plastic or wood shims 1/8" to 3/16" thick.	
Place door in rough opening	<ol style="list-style-type: none">1. Remove trim ring.2. Clean outer and install closed cell foam or butyl. This helps to insure a tight seal once door is installed.3. Place door in opening tight to the bottom and centered from side to side. <p>*Do not open door until door is fully installed*</p>	

Secure door into opening

1. Install door assembly into coach opening, shift fully to the hinge side. (*Note: If there is a black latch bracket, it is necessary to bend it back to the install the door into the opening.)
2. Secure black latch bracket to sidewall using (4) #8X1½" pan head screws. Bracket should be level and square before tightening.
3. Position clamp frame so holes line up with screw boss in the outer frame.
4. Start #8X1 ½" Pan head screws through clamp frame into the outer frame starting at the top. ***Do not completely tighten screws***
5. Secure clamp frame to coach structure through the holes provided with #8- 1 ½" pan head screws.
6. Secure clamp frame to the mounting frame, tightening screws alternating sides to pull door tight evenly.
7. Open door and remove shipping blocks.
8. Secure hinge side through the holes provided. (1 at each hinge)
9. Secure brass pivot bracket in the 4 countersunk holes into the sidewall.
10. Secure outer at the striker bolt with one screw above and below in the counter sunk holes at the striker bolt area (holes are marked with tape backing under the brush seal).
11. If equipped with power locks. Route wires from coach through the hole in the frame and connect leads to the contact block. Mount the contact block in the outer frame using #6 X ¼" pan head screws. Set the lock handle to its lock position before shutting the door. From inside the coach close the door and test the actuator. Verify that the door is locking and unlocking properly under actuator power.



<p>Adjusting latch</p>	<p>To achieve proper seal compression, the latch may need to be adjusted from time to time. Be sure when adjusting that these can be closed fully to the second “click”. This latch is by the latch manufacturer to pass 206 FMVSS standards. This door is equipped with a FMVSS Rotary Latch, use a 5/8” wrench to loosen the striker bolt (adjust as needed) up, down, and side to side.</p>	
<p>Adjust Screen door Catch</p>	<ol style="list-style-type: none"> 1. Check to be sure that when the screen door is attached to the door it will open and close along with the main door. 2. If the screen door catches on the mounting frame when you open the door, the catch on the door will need to be adjusted. 3. If adjustment is needed loosen the 2 screws on the catch and slide it toward the hinge side to allow the catch to more fully engage the latch plunger. This allows the screen door to move as one with the door itself. 	
<p>Sealing the Door</p>	<ol style="list-style-type: none"> 1. To ensure proper bond. Clean the outside of the mounting frame and sidewall. 2. Caulk all sides of the mounting frame to the unit sidewall to ensure a water tight seal. 3. Caulk the top of the window and down the sides at least 4”. 	