

Bauer Products, Inc.
702 Evergreen St SE
Grand Rapids, MI 49507
1-866-68-**BAUER**(22837)
(616) 245-4540
(616) 245-0131 fax

Bauer EM

Thank You for purchasing the ***Bauer EM***. We have developed the ***Bauer EM*** with the idea to increase your convenience and security. We are a family owned company with over 50 years of service in the locking hardware industry, and we are grateful for the opportunity to serve you. Please review and follow the Installation, Programming, and Operating Instructions to ensure proper function.

The *Bauer EM* features:

- The first self-contained electronic RV latch for Motorized Vehicles with Capacitive Touch Technology.
- An integral touch pad to the latch which controls the dead bolt.
- It is powered by 4 AA batteries.
- Is retrofitable in most 2-Pin Motorized RV entry doors, and is easy to install.
- Programmable with a 4 digit PIN number.
- The large buttons are easy to see and use.
- Proximity sensing which illuminates the buttons.
- An Intelligent Keyless Entry System which knows the position of the deadbolt and indicates low battery strength, as well as providing audible feedback to successful locking and unlocking functions.
- The key will always be able to operate the paddle or dead bolt lock in case of the user forgetting the code or dead battery

***Bauer EM* Installation Instructions:**

- The following steps are graphically shown on the enclosed ***Bauer EM*** Installation schematic.
 1. Remove old lock.
 2. Clean cut-out. Remove any dirt, loose material, etc.
 3. Install outside housing (the portion that includes the Touch Pad) with the dead bolt in the unlocked position.
 4. Attach the (2) 8x32 screws into the portion of the handle that has the Plunger and Dead Bolt. This is on the edge of the door.
 5. Plug wire from Inside Plate Assembly into the receptacle on the housing. Make sure to align the tab on the plug properly with the slot on the receptacle. The plug should make a slight click when properly engaged.
 6. Tuck Battery Wires into pocket next to Stamped Steel Plate. Do not allow Battery Wires to get between Inside Plate Assembly and Stamped Steel Plate as it will cause the motor to bind.
 7. Align the Dead Bolt Knob in the unlocked position. The Red Dots on the Dead Bolt Knob and the Inside Plate Assembly should be aligned to indicate the unlocked position of the Dead Bolt. Slide Dead Bolt Knob over D-Stem and align the 4 screw bosses on the housing with the attaching holes on the Inside Plate Assembly. When Inside Plate Assembly is in position with Housing install the (4) 8x32 Screws. Secure but do not over tighten screws.

The **Bauer EM** is FMVSS206 approved for use in Motorized Vehicles. FMVSS206 is the Federal Motor Vehicle Safety Standard which requires the lock system to possess the necessary strength for motorized vehicle usage. The **Bauer EM** is supplied with a Strike Plate that must be installed to insure compliance to the standard.

Battery Installation:

The **Bauer EM** uses 4 AA batteries for operation. We do not recommend zinc carbon batteries for this application. Batteries not included.

Fresh batteries should be installed as necessary. Battery Life is highly dependent upon battery quality, usage, and environment (temperature). Remove batteries if the lock will not be used for extended periods of time.

The following steps are shown on the enclosed Battery Installation schematic.

1. Loosen (2) 6x32 Captured screws from Battery Compartment Lid. These screws are captured to the Battery Compartment Lid so they will not fall out.
2. Install the AA batteries in accordance with the orientation shown in the Battery Compartment. The batteries will fit tightly. Please verify the batteries are touching the contacts on both sides in the Battery Compartment.
3. Install Battery Compartment Lid by aligning the (3) tabs on the lid with the (3) slots on the Inside Plate Assembly. These tabs act as a hinge for closing the Battery Compartment Lid.
4. Tighten the (2) 6x32 Captured screws back to attach the Battery Compartment Lid to the Inside Plate Assembly.

Bauer EM Operation and Programming Guide:

Description


The **Bauer EM** is a 4 touch pad button programmable deadbolt lock. The 4 buttons are labeled "1|2", "3|4", "5|6", "7|8". The button labeled "1|2" is the same button whether the number 1 or 2 is desired. Please note this handle uses Touch Technology. The buttons are activated by Touch and does not require pressing the buttons. Touch the button and lift finger from button for proper code entry.

Operation

The **Bauer EM** incorporates proximity sensing to determine when you want to activate the lock. To operate the lock you first must "wake up" the lock. To "wake up" the lock you must touch the area next to the buttons. The buttons will illuminate once the Touch Pad is awakened. This indicates that the Touch Pad is ready for the code to be entered.

Preset Factory Code

The **Bauer EM** has a factory set code of 3,7,1,5 followed by the Enter button. The button

with the  is the Enter button, and is required to be touched after the code is entered. The factory code resets every time the batteries are removed for at least 10 seconds.

Programming New Code

To set a new code, touch and hold the “3|4” button and the Enter Buttons for 2 seconds. The *Bauer EM* will provide three short beeps, indicating it is ready to accept a new code. Enter the new 4 digit code followed by



The *Bauer EM* will provide four short beeps to indicate new code acceptance. This new code will now activate the lock.

To reset the code, remove the batteries for at least 10 seconds. Re-install the batteries; and follow the steps to **Programming New Code.**

Quick Lock Feature – Look for Sticker Indicating this feature on the Battery Compartment Lid
Once your personal code has been entered the Bauer EM can be locked by simultaneously touching both the “7|8” and the



Please note this feature is only activated once the personal code is entered.

Please Enter Personal Code upon Installation of Lock to prevent inadvertent programming.

Bauer EM Fault Logic

Action

Bauer EM Response

| | |
|---------------------------|---|
| Ready to Accept New Code | Three short beeps |
| New Code Entered | Four short beeps |
| Wrong Code Entered | One long beep |
| Dead Bolt Locks | Two short beeps |
| Dead Bolt Unlocks | Two short beeps |
| Dead Bolt fails to Lock | One long beep |
| Dead Bolt fails to Unlock | One long beep |
| Low Battery | One Long beep after the Lock/Unlock beeps |

The lock will cycle up to 10 more times once the low battery indication occurs. After this the final electric function in a low battery condition will be unlock and not lock until the batteries have been replaced. Please note that if the deadbolt is in the locked position and the batteries die the deadbolt will remain locked. The key will always be able to activate the deadbolt lock.

General Maintenance and Operating Guidelines

- Install fresh batteries as necessary. The *Bauer EM* is designed to function for months of normal usage with fresh, high quality AA batteries. Battery life is highly dependent upon battery quality, usage, and environment (temperature).
- Make sure there are no obstructions in the door frame to prevent Dead Bolt extension.
- Do not wash with power washer or high pressure cleaner. The Bauer EM is designed to resist water intrusion to protect its electrical components from normal water encounter such as rain.



- The **Bauer EM** uses Touch Technology. The buttons are activated by touching not pressing.
- Remove batteries when storing or not using this lock for extended periods of time.

Installation and Operation Videos available at www.bauerproducts.com

Rain Sensing Technology

The **Bauer EM** possesses Rain Sensing Technology in order to preserve battery life. Please note rain will wake up the touch pad and illuminate the Buttons. After a few seconds of contact from rain (water) the lights will turn off, but a code still can be entered and the lock will function normally. The same effect will occur if the operator continues to touch the touch pad for a prolonged period of time. Initially the Buttons will illuminate, but then turn off. Again the lock will function normally in this case as well.

Additional Security Feature

The **Bauer EM** recognizes the first four digits entered as the code. However, if you feel someone is watching you enter your code you can continue to enter digits after the first four prior to touching the enter button  For example, if your code is 8,1,3,9 and you felt as if you were being watched you would enter 8,1,3,9 then continue to touch additional digits prior to touching the enter button  and the lock will operate.

Troubleshooting

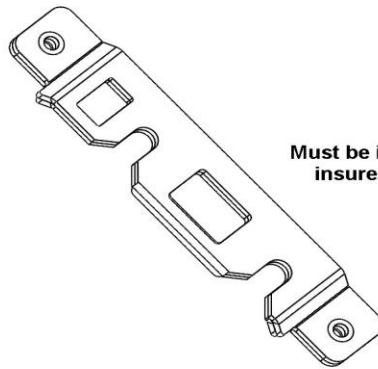
| <u>Problem</u> | <u>Possible Fixes</u> |
|--|--|
| After Installation the Touch Pad does not work | -Batteries are dead -Batteries are not installed properly -Plug not engaged properly |
| Dead Bolt not engaging into Door Frame | -Obstruction in Door Frame |
| Code not working | -Remove Batteries for 10 seconds then Program New Code |
| Inside Paddle not Opening Latch | -Inside screws are not secured to the Housing. |
| Buttons Light but Dead Bolt does not activate | -Replace Batteries |

If the problem is not found on this list please call 1 866 682 2837 for assistance.

Limited Warranty

BAUER'S WARRANTY IS LIMITED. AT ITS SOLE DISCRETION, BAUER MAY EITHER REPLACE OR REPAIR ANY DEFECTIVE PARTS. IN NO EVENT SHALL BAUER HAVE ANY LIABILITY TO CUSTOMER FOR PAYING INCIDENTAL, SPECIAL OR CONSEQUENTIAL DAMAGES INCLUDING (WITHOUT LIMITATION) DAMAGES RESULTING FROM PERSONAL OR BODILY INJURY OR DEATH OR DAMAGES TO, OR LOSS OF USE OF, ANY PROPERTY. NOTWITHSTANDING ANY PROVISION TO THE CONTRARY, THIS LIMITED WARRANTY IS MADE UPON THE EXPRESS UNDERSTANDING THAT IT SHALL APPLY IN CONNECTION WITH THE SALE OF THE PRODUCT BY BAUER AND IS IN LIEU OF ALL OTHER WARRANTIES (EXPRESS, IMPLIED OR STATUTORY) INCLUDING THE SEPARATE WARRANTIES OF MERCHANTABILITY AND FITNESS FOR A PARTICULAR PURPOSE OR USE.

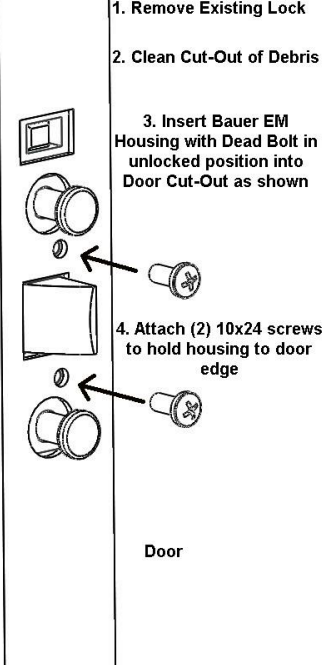
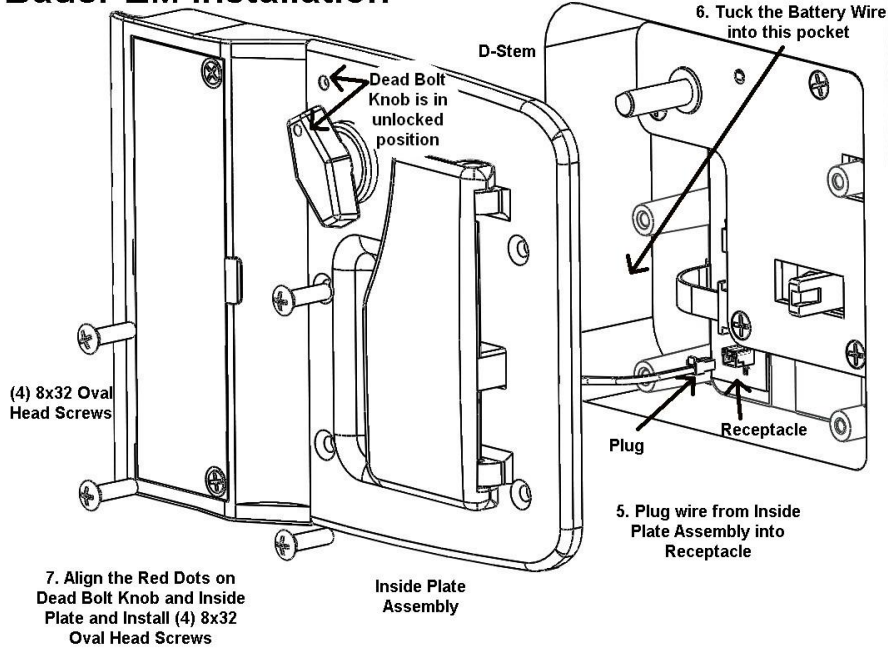
**Bauer EM
Strike Plate**



**Must be installed with Bauer EM to
insure FMVSS206 compliance**

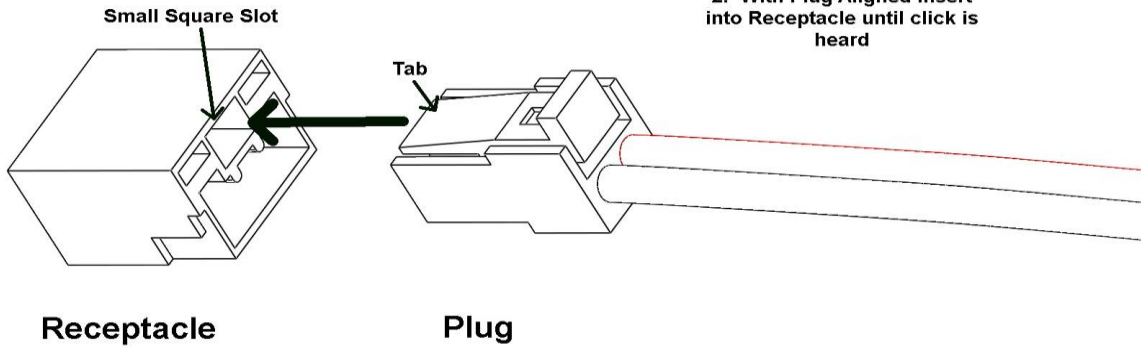
Bauer EM Installation

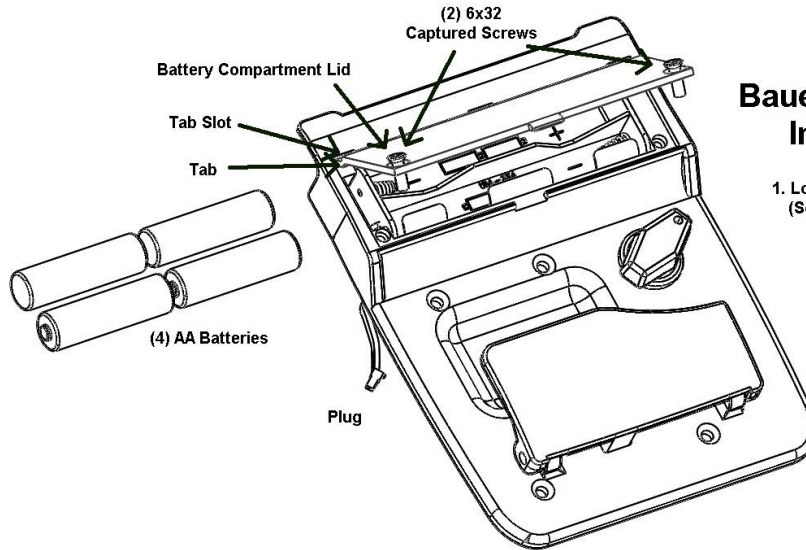
May 5, 2015



Battery Plug Instructions

1. Align Tab with Small Square Slot in Receptacle



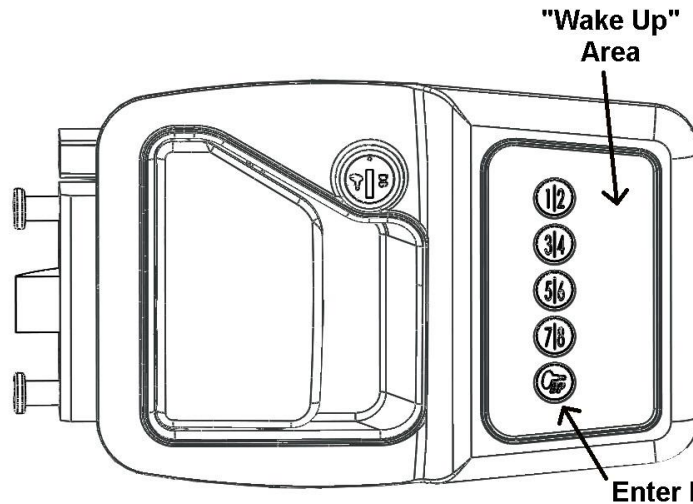


Bauer EM Battery Installation

1. Loosen (2) 6x32 Captured Screws (Screws will remain with Battery Compartment Lid)
2. Install 4 fresh AA Batteries according to the orientation symbols.
3. Install Battery Compartment Lid by Aligning the (3) tabs and (3) slots.
4. Tighten (2) 6x32 Captured Screws to attach Battery Compartment Lid.

Bauer EM Operation

IMPORTANT:
The Touch Pad
only activates
the Dead Bolt.



1. Touch the area next to the Buttons to "Wake Up" the lock.
2. The Buttons will illuminate when the lock is "awake" and ready to accept the code.
3. The factory default code is 3,7,1,5 followed by the Enter Button.
4. Touch and hold "3|4" Button and Enter Button for 2 seconds. The lock will beep 3 times to accept a new code.
5. Enter a 4 digit code followed by the Enter Button. The lock will beep 4 times to indicate new code acceptance. This is now your new code.

Please enter your Personal Code upon Installation of lock to prevent inadvertent programming.

Installation and Operation Videos available at
www.bauerproducts.com